

F

E

D

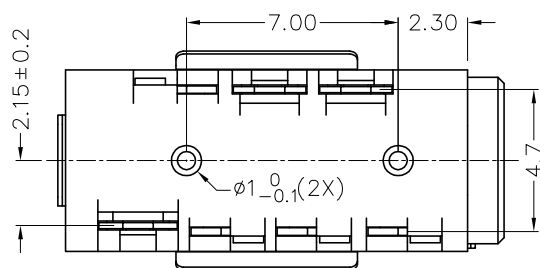
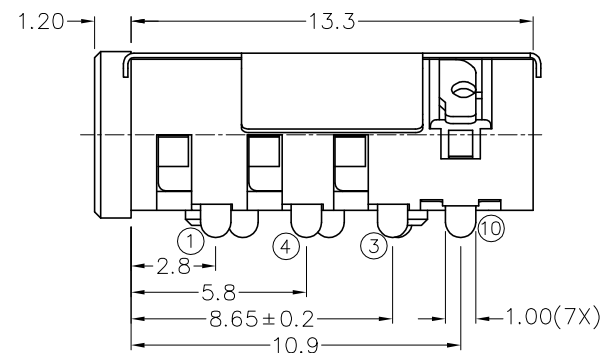
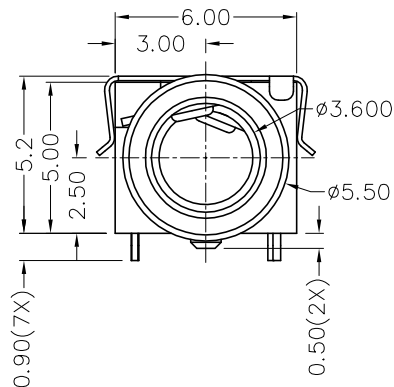
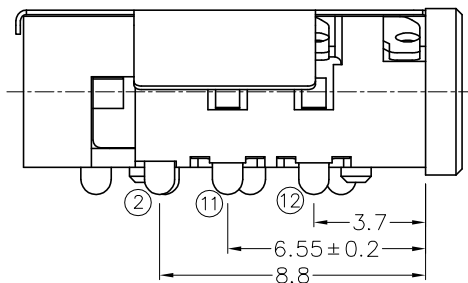
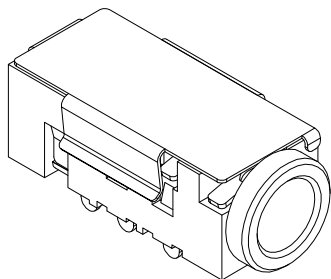
C

B

A

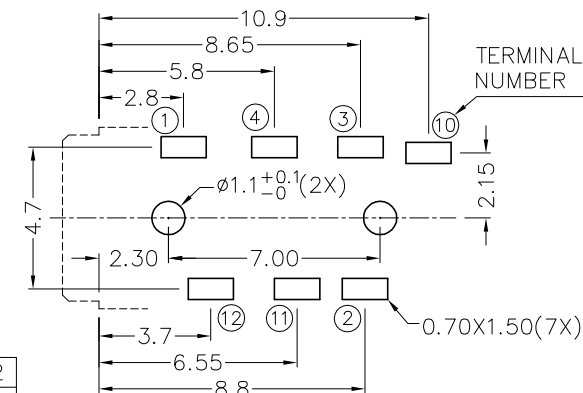
ZONE	SYMBOL	REVISION	APPROVAL	DATE

RoHS
Compliant

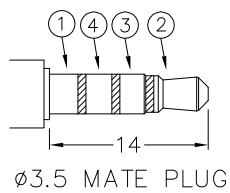


* MATERIAL

TERMINAL 1 : COPPER ALLOY
 TERMINAL 2 : COPPER ALLOY
 TERMINAL 3 : COPPER ALLOY
 TERMINAL 4 : COPPER ALLOY
 TERMINAL 10 : BRASS
 TERMINAL 11 : BRASS
 TERMINAL 12 : BRASS
 SHIELD : STAINLESS STEEL
 HOUSING : PA6T



PCB LAYOUT
(BOTTOM VIEW)



MODEL NO.	TSH-3917S1-2	TSH-3916AS1-2	TSH-3915AS1-2	TSH-3914S1-2	TSH-3915S1-2
SCHEMATIC					



CHAMPWAY 冠泰電子有限公司
CHAMPWAY ELECTRONICS CO., LTD.

DESIGN	T.Y.LI	DATE	19-7-2007	SCALE	4:1
DRAWING	T.Y.LI	DATE	19-7-2007	MATERIAL	*
CHECK		DATE		DWG. NO.	TZ\SH391S1-2-PA6T/A
APPROVAL		DATE		SHEET	

PART NAME	3.5mm STEREO JACK W/HANDING SHIELD	TOLERANCE UNLESS	0.0±0.2	UNIT:	
PART NO.	TSH-391S1-2	OTHERWISE SPECIFIED:	0.00±0.1 0.000±0.05	mm	

F

E

D

C

B

A